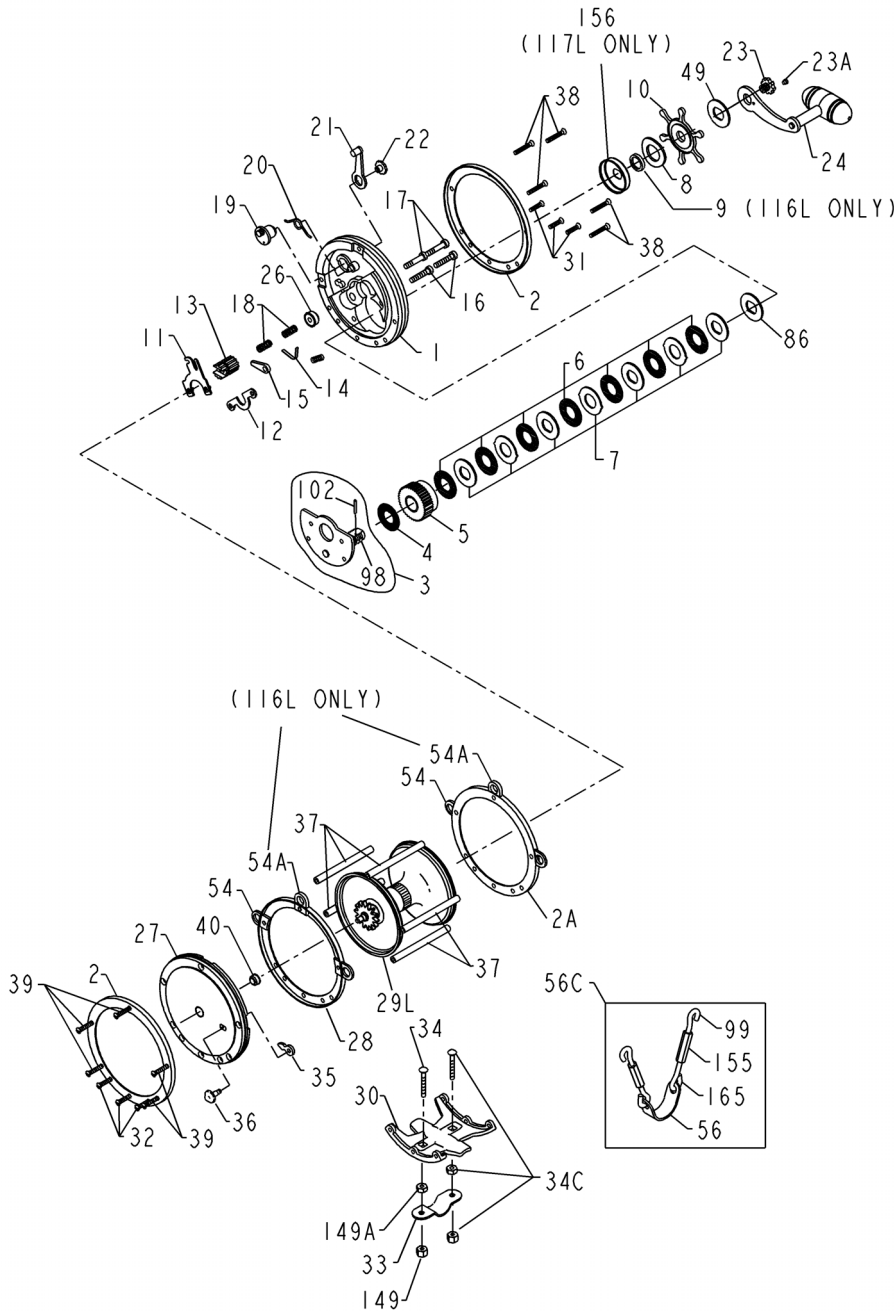




PARTS LIST FOR MODELS 116L AND 117L



<u>KEY NO.</u>	<u>116L PART NO.</u>	<u>117L PART NO.</u>	<u>DESCRIPTION</u>
1	001 116	001 117	Right Side Plate
2	002 116O (2 req.)	002 117O (2 req.)	Outer Right Side Ring
2A	002 116I	002 117I	Inner Right Side Ring
3	003 116	003 117	Bridge Assembly
4	004 116	004 117	Fiber Washer
5	005 116	005 117	Main Gear
6	006 116 (7 req.)	006 117 (7 req.)	Drag Washer
7	007C116	007C117	Drag Washer Set
8	008 116	008 117	Tension Spring
9	009 116	N/A	Spacing Sleeve
10	010 116	010 117	Star Drag Wheel
11	011 116	011 116	Eccentric Jack
12	012 116	012 116	Pinion Yoke
13	013 116	013 117	Pinion
14	014 116	014 117	Dog Spring
15	015 116	015 117	Dog
16	016 114 (2 req.)	016 114 (2 req.)	Lower Bridge Screw
17	017 114 (2 req.)	017 114 (2 req.)	Upper Bridge Screw
18	018 114 (2 req.)	018 114 (2 req.)	Clutch Springs
19	019 115	019 115	Eccentric
20	020 114	020 114	Eccentric Spring
21	021 116	021 117	Eccentric Lever
22	023 060	023 060	Eccentric Screw
23	023 116	023 116	Handle Screw
23A	110 060	110 060	Handle Lock Screw
24	024 116	024 117	Handle
26	026 116	026 117	Right Side Bearing
27	027 116	027 117	Left Side Plate Sub Assembly
*	*	*	*(Includes Click Spring 062 114)
28	028 116I	002 117I	Inner Left Side Ring
29L	029L116	029L117	Spool
30	030 116	030 117	Stand
31	039 012 (3 req.)	039 012 (3 req.)	Right Side Stand Screw
32	032 021 (3 req.)	039 012 (3 req.)	Left Side Stand Screw
33	033 116	033 117	Rod Clamp
*	*033 130ST	*033R117	*Ringed Rod Clamp (Optional)
34	034 130 (2 req.)	034 130 (2 req.)	Clamp Screw
34C	034C116	034C116	Clamp Screw w/Nuts
35	035 115	035 115	Click Tongue
36	036 115	036 117	Click Button
37	037 116 (5 req.)	037 116 (8 req.)	Frame Post
38	039 013 (5 req.)	039 013 (8 req.)	Right Side Post Screw
39	039 012 (5 req.)	039 013 (8 req.)	Left Side Post Screw
40	026 116	026 117	Left Side Bearing
49	049 116	049 116	Spacer Handle
54	054 114 (2 req.)	054 117 (6 req.)	Harness Lug
54A	054 116 (2 req.)	N/A	Harness Lug
56	056 116	056 117 (2 req.)	Rod Brace
56C	056C116	056C117 (2 req.)	Rod Brace Assembly
86	086 118	086 118	Washer, Key, Formed
98	098 116	098 117	Gear Sleeve
99	099 116 (2 req.)	099 116 (4 req.)	Hook Screw L.H. Thread
102	102 117	102 117	Pin, Gear Sleeve
149	149 116L (2 req.)	149 116L (2 req.)	Hex Nut
149A	149 116H (2req.)	149 116H (2req.)	Clamp Nut
155	155 116 (2 req.)	155 116 (4 req.)	Tumbuckle
156	N/A	156 117	Cover, Drag
165	165 116 (2 req.)	165 116 (4 req.)	Hook Screw R.H. Thread
	* = Not Shown	N/A = Not Applicable	