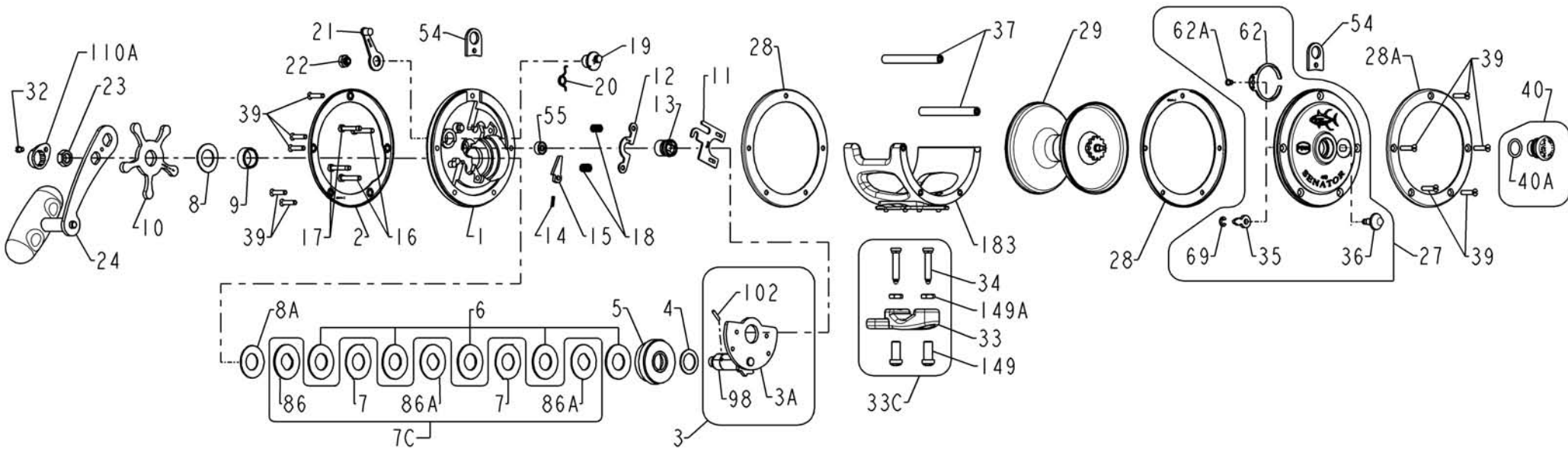


PENN® PARTS LIST FOR MODELS 113H2LH



<u>KEY NO.</u>	<u>PART NO.</u>	<u>DESCRIPTION</u>
1	1197481	1-113H2 Right Side Plate
2	1197489	2-113H2O Outer Right Side Ring
3	1197497	3-113H2LH Left Hand Bridge Assembly
3A	1197496	3-113H-1 Bridge Sub-Assembly
4	1180775	4-349 Fiber Washer
5	1180844	5-113HLH Left Hand Main Gear
6	1180909	6-113H Drag Washer (5 req.)
7	1181029	7-970 Metal Ear Drag Washer (2 req.)
7C	1197506	7C-113H2 Drag Washer Set
8	1181077	8-349 Tension Spring Washer
8A	1181627	18-970 Tension Spring Washer
9	1197507	9-113H2 Spacing Sleeve
10	1197510	10-113H2LH Left Hand Drag Wheel
11	1181233	11-113 Eccentric Jack
12	1181257	12-60 Pinion Yoke
13	1181318	13-113HLH Left Hand Pinion
14	1181393	14-99 Dog Spring
15	1181435	15-113H Dog
16	1181570	16-113H Lower Bridge Screw (2 req.)
17	1181595	17-113H Upper Bridge Screw (2 req.)
18	1181615	18-60 Clutch Spring (2 req.)
19	1181662	19-113 Eccentric
20	1181769	20-155 Eccentric Spring
21	1181835	21-66 Eccentric Lever
22	1197513	22-112H2 Eccentric Screw
23	1181950	23-555 Handle Nut
24	1197517	24-113H2 Handle Assembly

<u>KEY NO.</u>	<u>PART NO.</u>	<u>DESCRIPTION</u>
27	1197521	27-113H2 Left Side Plate
28	1197488	2-113H2i Inner Side Ring (2 req.)
28A	1197527	28-113H2 Outer Left Side Ring
29	1197530	29-113H2LH Left Hand Spool
32	1182708	32-15 Handle Nut Cap Screw
33	1182754	33-113 Rod Clamp
33C	1197533	33C-112H2 Rod Clamp Kit
*	*1182783	*33R-200 Metal Ringed Rod Clamp (Optional)
34	1182786	34-16VS Clamp Screw (2 req.)
35	1182901	35-60 Click Tongue
36	1182989	36-113 Click Button
37	1183066	37-113 Frame Post (2 req.)
39	1197540	39-112H Side Plate Screw (10 req.)
40	1197542	40N-113HL Left Side Bearing Assembly
40A	1184522	120-113H Left Side Bearing O-Ring
54	1183856	54-113 Harness Lug (2 req.)
55	1183880	55-113H Right Side Bearing
62	1184028	62-309 Click Spring
62A	1184048	63-209 Click Spring Screw (2 req.)
69	1184129	69B-600 Retaining Ring
86	1184253	86-113H Metal Keyed Washer
86A	1184270	86-970 Metal Keyed Drag Washer (2 req.)
98	1199516	98-113HLH Left Hand Gear Sleeve
102	1192230	102-113 Gear Sleeve Pin
110A	1184442	110A-555 Handle Nut Cap
149	1184702	149-45 Clamp Nut (2 req.)
149A	1184706	149-200 Hex Nut (2 req.)
183	1198907	183N-113H2LH Left Hand Frame Asm.

*Not Shown